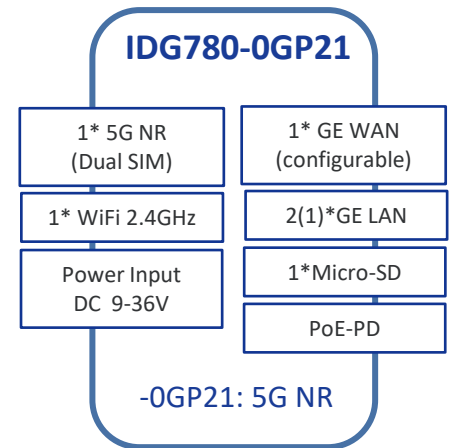


IDG780-0GP21 5G WAN Extender



The IDG780 has various interfaces include 5G-NR Cellular, Giga-Ethernet and WiFi uplink to provide internet uplink. It provides capability of WAN extender and can handle different networking interfaces to have a robust connection for end device. Beside normal DC 9-36V power in, it also has a PoE-PD input on configurable WAN port to make user deploying network topology more flexible. Industrial design also makes the device to operate in different environment. 5G-NR cellular helps the device to replace original Giga-level fixed line and make it can deploy everywhere.



Applications:

- IPC, SBC network
- IP Surveillance
- IT machine

High-Speed Network

- 5G-NR Network
- Giga-Ethernet

Data & access security

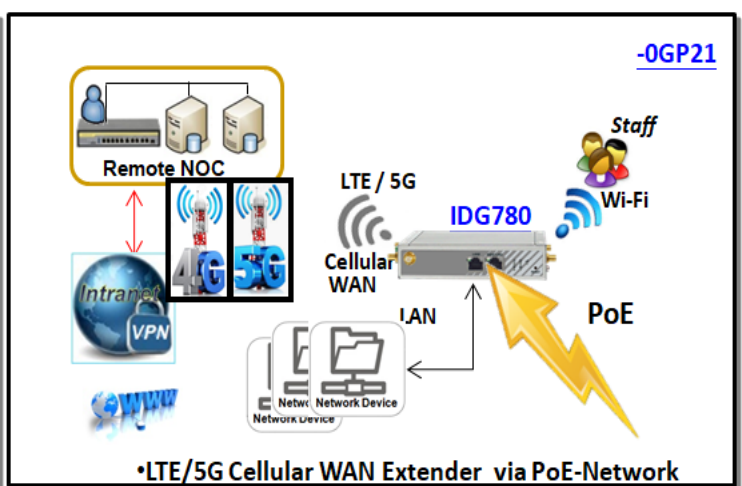
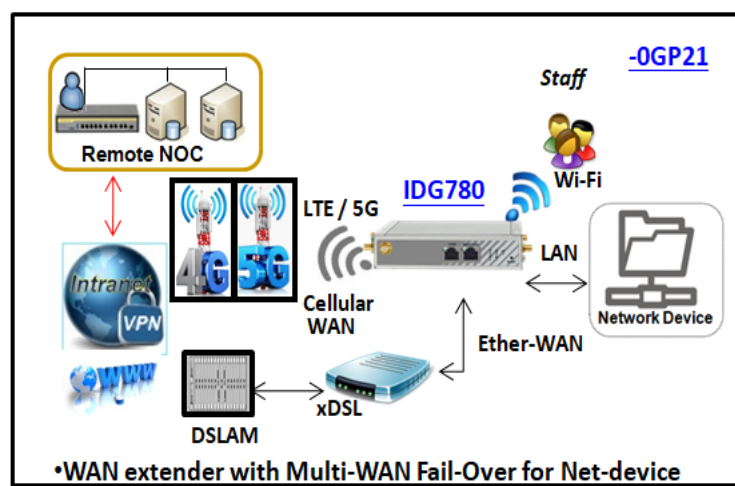
- SPI Firewall, VPN
- TR-069, SNMP Remote Management

Robust low-latency networking

- Multi-WAN Failover
- 5G NR , Gigabit Ethernet, WiFi

Deploy Everywhere

- Industrial Design for -30 ~ 60 °C
- TB DC 9-36V or PoE-PD



Specification Summary

Device Interface

- **LTE Module:** 1*5G-NR/LTE, 2*SIM (micro-SIM/3FF)
- **Technology:** 3GPP R15, support SA (Standalone)/NSA (Non-Standalone)
- **Ethernet :** 1(2)*RJ45 GE
- **WiFi:** 1*2x2 2.4G 802.11 b/g/n
- **Storage:** 1*Micro-SD
- **Power Input :** 1* DC 9V ~ 36V (Terminal Block) or PoE-PD
- **Antenna Con.:** 4*SMA (F)-5G/LTE, 2*SMA(RP-F)-WiFi

WAN & Uplink

- **WAN:** 1*Cellular & Config. Ether-WAN, 1* config. 11n WiFi; Failover
- **Cellular:** 5G/LTE
- **Ether-WAN:** Dynamic IP, Static IP, PPPoE
- **Network Monitor:** ICMP/DNS Query

WiFi

- **Standard:** 802.11 Industry Compliance
- **Mode:** AP Router, WDS, WDS Hybrid Modes
- **Functions:** Multi-SSID, WMM
- **Security:** WEP, WPA2

Protocol

- **LAN & VLAN:** DHCP Server/Relay ,VLAN
- **IPv6:** Static IPv6, DHCPv6
- **Port Forward:** NAT 1-1, 1-many, DMZ, Virtual Server & Computer, VPN Pass-through
- **Routing*:** Static, Dynamic - RIP1/RIP2

Object

- **Scheduling:** Time Schedule List
- **Grouping:** Host Grouping List
- **Ext. Server:** Email, Syslog, RADIUS, SCEP, FTP, DDNS, IGMP
- **Certificate:** My Certificate, Trusted Certificate, Issue Certificate

Security

- **VPN Tunneling:** IPSec, OpenVPN, PPTP, L2TP, GRE
- **Scenario:** Site/Host , Client
- **Firewall*:** SPI Firewall with Stealth Mode, IPS
- **Access Control*:** Packet Filter, URL Blocking, MAC Filter

Administration

- **Configuration:** Web UI, CLI, Command Script
- **Management:** SNMPv3 Std. & AMIT MIB , TR-069
- **System:** Upgrade, Backup & Restore, Reboot & Reset, SysLog
- **Diagnostic:** Packet Analyzer, Diagnostic Tools

Service

- **Cellular Toolkit:** Data Usage, SMS, SIM PIN, Network Scan
- **Network Service:** Dynamic DNS ,Time Sync
- **Scheduling :** System Reboot , Function On / Off

Environment

- **OP/Store Temp.:** -30°C ~60 °C; -40°C ~ 85°C
- **Humidity:** 10%~95% (non-condensing)
- **Enclosure:** Metal, Bracket
- **Dimension:** 131x100x30mm (w/o mounting kit),
167x100x39mm (with mounting kit)

Certificate - CE

- Standards & Regulation
- EMI: EN 55032: 2015 +AC: 2016 Class B, EN61000-3/-6
- EMS: EN 55024, IEC 61000, EN61000-6
- Radio: EN 301 489, EN 300 328
- Safety: EN 60950-1, EN 62368-1

Package Accessory

- 1*Device
- 4*Cellular Antenna (3dBi), 2*WiFi Antenna
- 1*Power Adapter DC 12V/2.5A
- 1*2 Pins Terminal Block
- 1*DIN Rail Kit, 1*Screw Bag
- 1*RJ45 Cable
- 4*Rubber feet

SKU Information:

IDG780-0GP21-00-yy : 5G NR

'yy': Area Variant. As below table

yy	SKU	Cellular Band	Module Cert.	System Cert.
GO	Global	n1 / n3 / n5 / n7 / n8 / n20 / n28 / n41 / n66 / n71 / n77 / n78 / n79	CE, FCC, RCM,GCF	CE

Comment:

- Specifications are subject to change without prior notice.
- Besides CE, other regional certification needs to be checked for availability.
- Supported cellular & LoRa frequency depends on regional hardware version.

AMIT Wireless Inc.

TEL: +886 (0)6 505 8026 FAX: +886 (0)6 505 8068

Web: <http://www.amitwireless.com> Email: sales@amit.com.tw

No. 28, Lane 31, Huandong Rd., Sec. 1, Xinshi Dist., Tainan City 74146, Taiwan (R.O.C.)